

Inka pallet type F 64

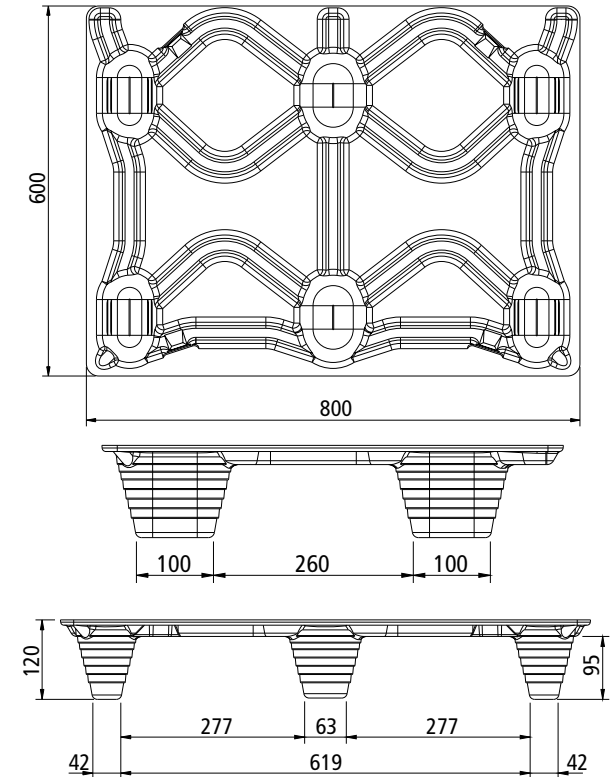
1/2 euro format – 600 x 800 mm



1/2 Euro size – for small loads or POS-dislpays, compliant with the Euro-Standard.

data sheet:

type	F 64	F 64 (s)
material according to ISPM15	presswood "processed wood"	presswood "processed wood"
max. load capacity*		
dynamic	500 kg	1,000 kg
static	approx. 1,500 kg	approx. 3,000 kg
net weight	approx. 4.5 kg	approx. 5.5 kg
packing unit	120 pcs./space	120 pcs./space
height	approx. 2.20 m	approx. 2.30 m



* This pertains to an index of refraction within the framework of a quality test in a laboratory, which was calculated based upon a theoretical surface load. In all cases, we recommend the use of test pallets which we will be glad to provide. Please refer to our Users' Tips on [youtube.com/inkapaletten](https://www.youtube.com/inkapaletten)