

Inka pallet type F 36

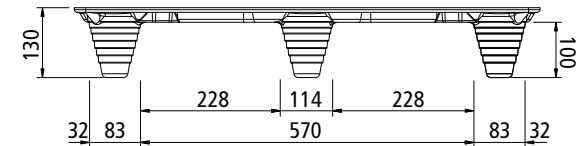
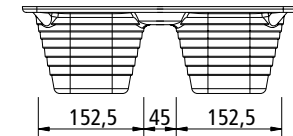
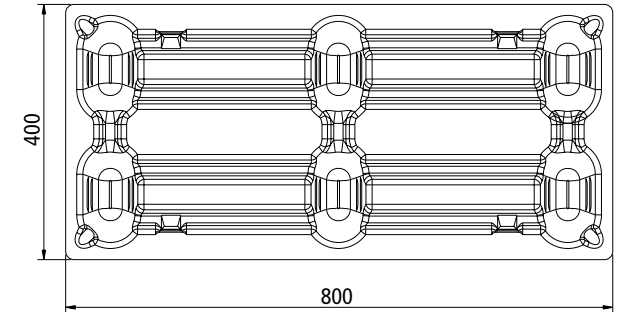
1/3 euro format – 400 x 800 mm



1/3 Euro size – for small loads or POS-displays, compliant with the Euro-Standard.

data sheet:

type	F 36	F 36 (s)
material according to ISPM15	presswood "processed wood"	presswood "processed wood"
max. load capacity*		
dynamic	500 kg	1,000 kg
static	approx. 1,500 kg	approx. 3,000 kg
net weight	approx. 3.5 kg	approx. 4.5 kg
packing unit	180 pcs./space	180 pcs./space
height	approx. 1.95 m	approx. 2.05 m



* This pertains to an index of refraction within the framework of a quality test in a laboratory, which was calculated based upon a theoretical surface load. In all cases, we recommend the use of test pallets which we will be glad to provide. Please refer to our Users' Tips on youtube.com/inkapaletten